

# Zelio Relay Electromechanical Relays

Catalog

June 2016



# How can you fit a 6000-page catalog in your pocket?

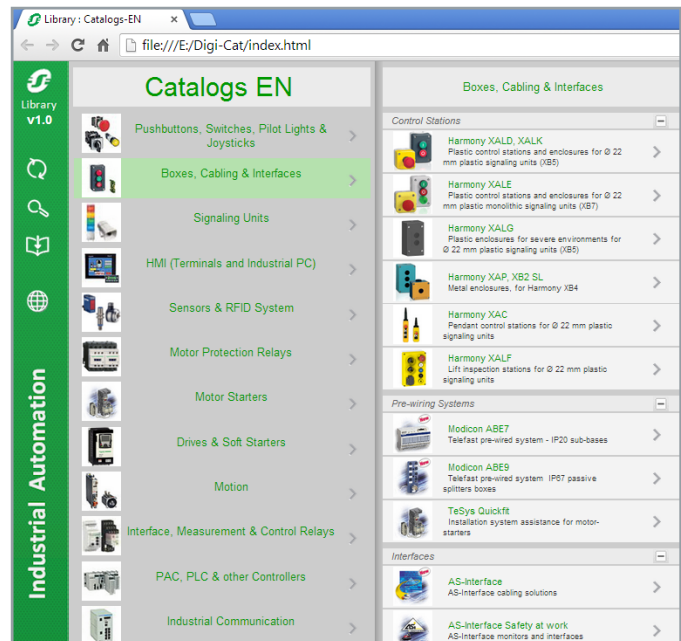
Schneider Electric provides you with the complete set of industrial automation catalogs all on a handy USB key for PC or in an application for tablets



Digi-Cat, a handy USB key for PC



- > Convenient to carry
- > Always up-to-date
- > Environmentally friendly
- > Easy-to-share format



Contact your local representative to get your own Digi-Cat



e-Library, the app for tablets

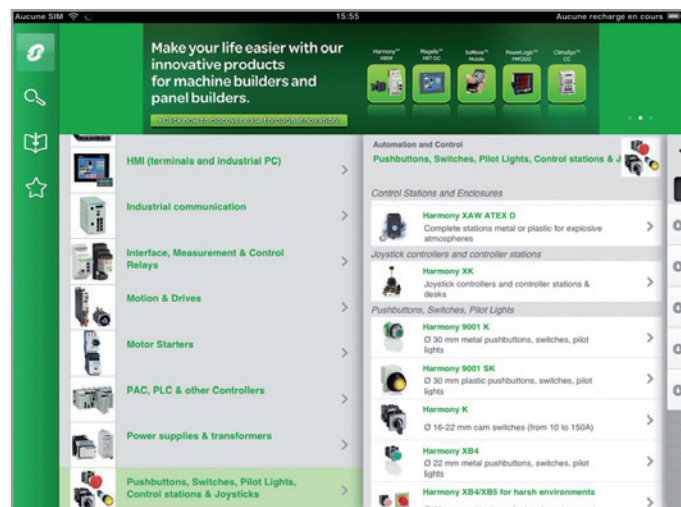
If you have an iPad®:

- > Go to the App Store and search for e-Library
- > or scan the QR code



If you have an Android tablet:

- > Go to the Google Play Store™ and search for eLibrary
- > or scan the QR code



# General contents

General presentation and selection guide . . .

1

Plug-in relays and relays with clamp fixing . . .

2

Product reference index . . . . .

3



---

## Zelio Relay electromechanical relays

### ■ General presentation

- Zelio RSL relays for compactness..... page 1/2
- Zelio RXG relays for reliability..... page 1/2
- Zelio RXM relays for automation control ..... page 1/3
- Selection guide of Plug-in relays and relays with clamp fixing . . . . . page 1/4*



1

**Zelio Relay - Electromechanical Relays**

*Used to multiply the number of input and output contacts, or for logic processing control*

**RSL relays are compact modular relays conforming to IEC/EN 61810-1, UL508, CSA C22.2 No. 14, and EAC international standards.**

Zelio Relays offer interface, miniature, universal, and power electromechanical relays, from 1 CO to 4 CO contacts, up to 30 A. The electromechanical relays help to reduce the size of enclosures and at the same time increase machine reliability.

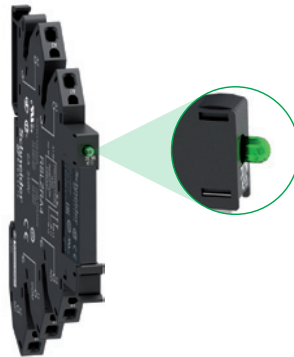
**RSL relays for compactness**

**Flexible offer**

- > Available as a single-referenced complete product (relay and socket) or customer-assembled product
- > Wide choice of sockets ranging from 12 to 230 V ~
- > Standard and low level contact types

**Enhanced performance**

- > Sockets with integrated reverse polarity protection circuit
- > Relays for high breaking capacity or low-level current application requirements
- > Power-on and Relay status LED indicator



LED indicator for RSL relay status



Screw connector



Spring terminal

**Simple installation and cabling**

- > Locking/unlocking lever for removing and replacing the relay in the socket
- > Simple DIN rail mounting and commoning link accessory
- > Choice of screw connector or spring terminal connection for sockets

**RXG relays for reliability**

**Complete offer**

RXG relays offer a broad range of coil voltages, from 6 V to 110 V  $\text{---}$  and 24 V to 230 V ~. The relays are available with/without lockable test button, LED, and clear cover.



**Easy to mount and use**

These are the latest relays with a single-step lockable test button. The Faston pin terminal mounts quickly and securely. The slim 16 mm/0.629 in. socket for 2 CO saves panel space.



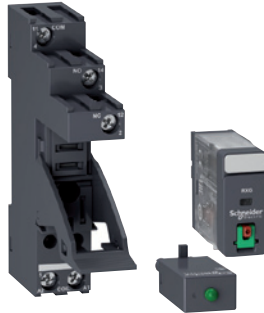
Single-step lockable test button

**Zelio Relay RXG → Latest interface relay with easy testing function**

RXG relays for reliability (continued)

Expandable relays

RXG relays can be expanded with protection modules such as diode, diode with LED, varistor with LED, and RC circuit.



RXM relays industrial relays bring features for easy and improved control of simple and complex automation systems.

RXM relays for automation control

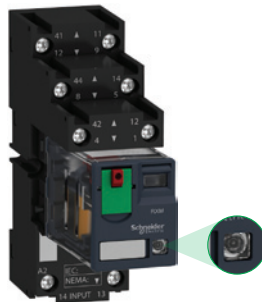
Easy to select

- > Wider choice of contacts (2, 3, and 4 CO)
- > Broad range of control circuit voltages and different socket types
- > Configurator available in Apple App and Android Play Store



Convenient to use

- > One-step lockable test button
- > Mechanical indicator for contact status
- > "Power On" LED for readiness



LED indicator for relay status



Push and stay spring clamp terminal: insert without tool

Simple to install

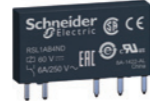
- > Push and stay spring clamp socket wiring (no screwdriver required) provides up to 65% time saving
- > Sockets for both DIN rail and panel mounting, time-saving bus jumper
- > Direct mounting with DIN rail or flange adapter

Designed to perform

- > Eco-design with RoHS and REACH
- > Flexible add-on protection modules
- > Spring clamp socket with 20 kg/44 lb wire pull-out force and reliable retention force on cables

Type of product

Plug-in relays  
Slim interface relays



Number and type of contacts/conventional thermal current (lth on NO contact)

1 CO / 6 A

Control circuit voltage

-  
12...60 V

Pin type

Flat (PCB type, reinforced)

Operational voltage

Up to 400 V ~/300 V ≐

Durability (operating cycles per hour) Electrical, resistive load  
Mechanical, no-load

60,000  
10,000,000

Functions

LED  
Mechanical indicator  
Lockable test button  
Contact type

No  
No  
No  
Standard and low level

Type references

**RSL1●B4●D (1) (2)**

Pages

2/3

Type of associated sockets

Sockets with LED and protection circuit



Contact terminal arrangements

Separate

Connection

Screw connector      Spring terminals

Accessories Protection modules  
Timer module  
Maintaining clamps  
Socket identification legend  
Mounting adapters for DIN rail  
Mounting adapters with fixing lugs  
Bus jumper

No	No
No	No
No	No
Yes	Yes
No	No
No	No
Yes, 20-pole	Yes, 20-pole

Conventional thermal current (lth)

6 A

6 A

Type references

**RSLZV●● (1)**      **RSLZR●● (2)**

Pages

2/3

(1) Pre-assembled slim interface relays RSL1PV●● (standard type relay + socket) are also available.  
(2) Pre-assembled slim interface relays RSL1PR●● (standard type relay + socket) are also available.

Plug-in relays  
Interface relays



1 CO / 16 A  
1 CO / 12 A  
2 CO / 8 A

1 CO / 10 A  
2 CO / 5 A

24...240 V  
6...110 V

24...230 V  
6...110 V

Flat (Faston type)

Flat (Faston type)

Up to 400 V ~/300 V ≐

Up to 250 V ~/≐

100,000  
30,000,000

100,000

Yes (with protection modules)

10,000,000 for AC coil  
10,000,000 for DC coil

No

Yes (depending on version)

No

Yes (depending on version)

Standard

Yes (depending on version)

**RSB●●●●●●**

**RXG●●●●**

2/5

2/7

Sockets without LED

Sockets



Separate

Separate

Screw connector

Screw connector

Yes

Yes

No

No

Yes

Yes (plastic)

Yes

Yes

No

No

No

No

No

No

12 A

(2 terminals) × 10 A (3)

10 A for 1 CO

5 A for 2 CO

**RSZE1S35M**

**RSZE1S48M**

**RGZE1S35M**

**RGZE1S48M**

2/5


2/8

(3) When using relay RSB1A160●● with socket RSZE1S48M, terminals must be linked.



# Zelio Relay - Electromechanical relays

## Plug-in relays and relays with clamp fixing

Type of product		Plug-in relays	
		Miniature relays	
			
Number and type of contacts/conventional thermal current (Ith on NO contact)		2 CO / 12 A 3 CO / 10 A 4 CO / 6 A 4 CO / 3 A (low level)	
Control circuit voltage		24...240 V 12...220 V	
Pin type		Flat (Faston type)	
Operational voltage		Up to 250 V ~/∞	
Durability (operating cycles per hour)		Electrical, resistive load: 100,000 Mechanical, no-load: 10,000,000	
Functions		LED: Yes (depending on version) Mechanical indicator: Yes Lockable test button: Yes Contact type: Low level (depending on version)	
Type references		<b>RXM●●●●●</b>	
Pages		2/11	
Type of associated sockets		Sockets without LED	



Contact terminal arrangements		Mixed		Separate	
Connection		Screw connector	Screw clamp terminals	Screw connector	Spring clamp terminals
Accessories		Protection modules: Yes Timer module: No Maintaining clamps: Yes Socket identification legend: Yes Mounting adapters for DIN rail: Yes Mounting adapters with fixing lugs: Yes Bus jumper: No		Yes: Yes No: No Yes: Yes Yes: Yes Yes: Yes No: Yes, 2-pole (Ith = 5 A) No: No	
Conventional thermal current (Ith)		10 A	10 A	12 A for 2 CO (1) 6 A for 4 CO	12 A for 2 CO 6 A for 4 CO
Type references		<b>RXZE2M114M</b>	<b>RXZE2M114</b>	<b>RXZE2S●●●M</b>	<b>RXZE2S114S</b>
Pages		2/13			

(1) Except for sockets RXZE2S11●M: 10 A.

Type of product		Plug-in relays		Relays with clamp fixing	
		Power relays		Power relays	
					
Number and type of contacts/conventional thermal current (Ith on NO contact)		1 CO / 15 A 2 CO / 15 A 3 CO / 15 A 4 CO / 15 A		2 CO / 10 A 3 CO / 10 A	
Control circuit voltage		12...110 V		24...230 V	
Pin type		Flat (Faston type)		Cylindrical	
Operational voltage		Up to 250 V ~/∞		Up to 250 V ~/∞	
Durability (operating cycles per hour)		100,000 (2) 10,000,000		100,000 5,000,000	
Functions		Yes (depending on version): Yes Yes: Yes Yes: Yes Standard: Standard		Yes (depending on version): Yes Yes: Yes Yes: Yes Standard: Standard	
Type references		<b>RPM●●●●●</b>		<b>RUM●●●●●</b>	
Pages		2/19		2/15	
Type of associated sockets		Sockets without LED		Sockets without LED	



Contact terminal arrangements		Mixed		Mixed		Separate	
Connection		Screw clamp terminals		Screw connector		-	
Accessories		Yes: Yes Yes (for 3- and 4-pole): Yes Yes (on socket RPZF1): Yes Yes: Yes Yes: No Yes: No No: No		Yes: Yes Yes: Yes Yes: Yes No: No No: No Yes, 2-pole (Ith = 5 A): Yes, 2-pole (Ith = 5 A)		-	
Conventional thermal current (Ith)		16 A		12 A		-	
Type references		<b>RPZF●</b>		<b>RUZC●M</b>		<b>RUZSC●M</b>	
Pages		2/20		2/15		-	

(2) 100,000 for RPM1 and RPM2; 60,000 for RPM3 and RPM4.

(3) 30 A when mounted with 13 mm (0.51 in.) gap between two relays and 25 A when mounted side by side without a gap.



## RSL slim interface relays

### ■ Presentation

- Presentation of the range ..... page 2/2
- Relay description ..... page 2/2
- Socket description ..... page 2/2

### ■ References

- Slim interface relays, pre-assembled: relay + socket ..... page 2/3
- Slim interface relays for customer assembly: relay + socket ..... page 2/3
- Accessories for sockets ..... page 2/3

## RSB interface relays

### ■ Presentation

- Presentation of the range ..... page 2/4
- Socket description ..... page 2/4

### ■ References ..... page 2/5

## RXG interface relays

### ■ Presentation

- Presentation of the range ..... page 2/6
- Relay description ..... page 2/6
- Socket description ..... page 2/6

### ■ References ..... page 2/7

## RXM miniature relays

### ■ Presentation

- Presentation of the range ..... page 2/10
- Relay description ..... page 2/10
- Socket description ..... page 2/10

### ■ References ..... page 2/11

## RUM universal relays

### ■ Presentation

- Presentation of the range ..... page 2/14
- Relay description ..... page 2/14
- Socket description ..... page 2/14

### ■ References ..... page 2/15

## RPM power relays

### ■ Presentation

- Presentation of the range ..... page 2/18
- Relay description ..... page 2/18
- Socket description ..... page 2/18

### ■ References ..... page 2/19

## RPF power relays

### ■ Presentation ..... page 2/22

### ■ References ..... page 2/23

## Technical presentation

### ■ Relays ..... page 2/24

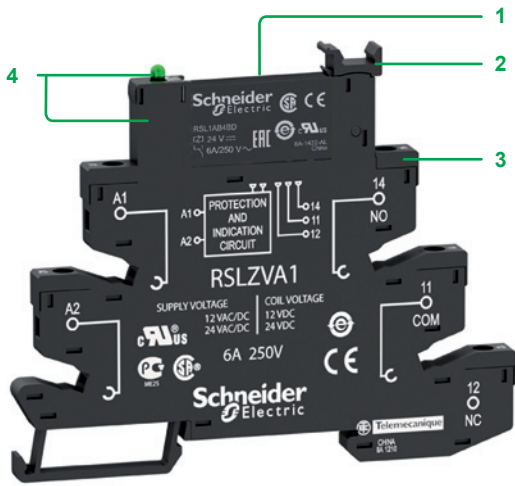
### ■ Protection modules ..... page 2/25

#### Presentation of the range

RSL slim interface relays offer the advantages of compact size and modular design. Their slim width (6 mm/0.236 in.) saves space when mounting on a DIN rail at the back of an enclosure.

RSL relays are available as:

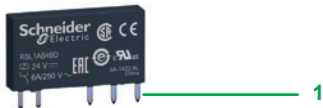
- **Pre-assembled offer:** a single reference comprising a standard relay mounted on its socket.
  - The socket includes a protection circuit (against reverse polarity and surge) and an LED indicator as standard.
  - 2 types of connector are available for wire connection: screw connectors or spring terminals.
  - This pre-assembled solution covers a wide range of operating voltages from 12 to 230 V.
- **Customer assembly offer:**
  - The relay (standard or low level) and the socket are selected, as required, according to the operating voltage of the application.
  - For maintenance, an RSL slim relay can be replaced without disconnecting the socket wiring.



#### Relay description

##### RSL slim interface relays, pre-assembled

- 1 6 A standard relay with 1 CO contact
- 2 Lever for retaining or easy withdrawal of the relay from its socket
- 3 Sockets: wire connection by screw connectors or spring terminals
- 4 Built-in protection circuit and LED indicator on all sockets

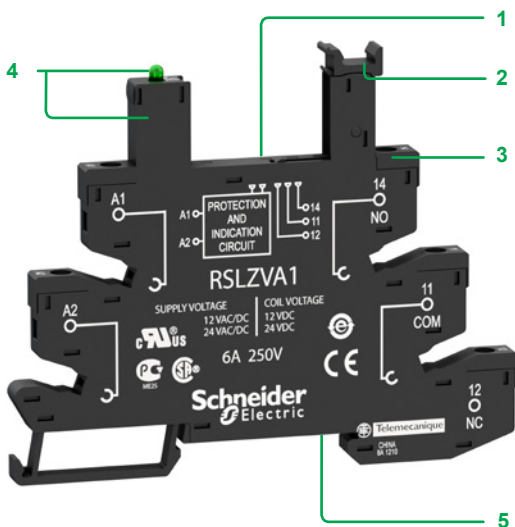


##### RSL slim interface relay

- 1 5 flat (PCB type) standard pins

#### Socket description

##### Sockets for RSL slim interface relays



- 1 5 female contacts for the relay pins
- 2 Retaining lever with marker label
- 3 Wire connection by screw connectors or spring terminals
- 4 Built-in protection circuit and LED indicator
- 5 Locating slot for mounting on DIN rail



Slim interface relays, pre-assembled (relay + socket)					
Standard relays mounted on socket equipped with LED and protection circuit					
1 CO contact - Thermal current (Ith) 6A					
Operating voltage	Control circuit voltage	Socket type		Spring terminal	
		Screw connector	Weight	Unit reference	Weight
V	V	Unit reference	kg/lb	Unit reference	kg/lb
~/~ 12	~ 12	RSL1PVJU (RSL1AB4JD + RSLZVA1)	0.031/0.068	RSL1PRJU (RSL1AB4JD + RSLZRA1)	0.029/0.064
~/~ 24	~ 24	RSL1PVBU (RSL1AB4BD + RSLZVA1)	0.031/0.068	RSL1PRBU (RSL1AB4BD + RSLZRA1)	0.029/0.064
~/~ 48	~ 48	RSL1PVEU (RSL1AB4ED + RSLZVA2)	0.031/0.068	RSL1PREU (RSL1AB4ED + RSLZRA2)	0.029/0.064
~/~ 110	~ 60	RSL1PVFU (RSL1AB4ND + RSLZVA3)	0.031/0.068	RSL1PRFU (RSL1AB4ND + RSLZRA3)	0.029/0.064
~/~ 230	~ 60	RSL1PVPU (RSL1AB4ND + RSLZVA4)	0.031/0.068	RSL1PRPU (RSL1AB4ND + RSLZRA4)	0.029/0.064



Slim interface relays for customer assembly: relay + socket				
Relays with flat (PCB type) standard pins				
1 CO contact - Thermal current (Ith) 6A				
Control circuit voltage	Standard		Low level	
	Unit reference	Weight	Unit reference	Weight
V		kg/lb		kg/lb
~ 12	RSL1AB4JD	0.006/0.013	RSL1GB4JD	0.006/0.013
~ 24	RSL1AB4BD	0.006/0.013	RSL1GB4BD	0.006/0.013
~ 48	RSL1AB4ED	0.006/0.013	RSL1GB4ED	0.006/0.013
~ 60	RSL1AB4ND	0.006/0.013	RSL1GB4ND	0.006/0.013

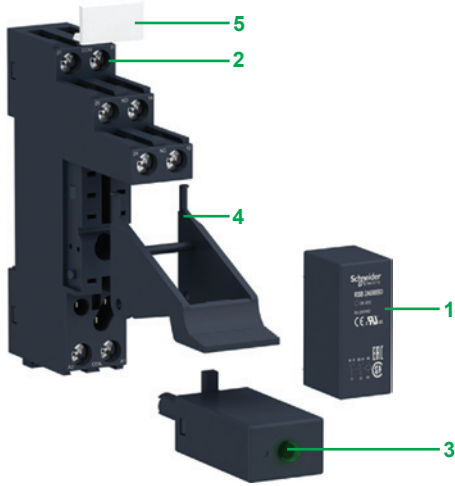


Sockets equipped with LED and protection circuit					
Sold in lots of 10					
Operating voltage	For use with relays	Socket type		Spring terminal	
		Screw connector	Weight	Unit reference	Weight
V		Unit reference	kg/lb	Unit reference	kg/lb
~/~ 12 and ~/~ 24	RSL1●B4JD RSL1●B4BD	RSLZVA1	0.025/0.055	RSLZRA1	0.023/0.051
~/~ 48 and ~/~ 60	RSL1●B4ED RSL1●B4ND	RSLZVA2	0.025/0.055	RSLZRA2	0.023/0.051
~/~ 110	RSL1●B4ND	RSLZVA3	0.025/0.055	RSLZRA3	0.023/0.051
~/~ 230	RSL1●B4ND	RSLZVA4	0.025/0.055	RSLZRA4	0.023/0.051



Socket accessories			
Description	For use with	Reference	Weight
			kg/lb
Clip-in legends (2 sheets of 64 legends)	All sockets	RSLZ5	0.001/0.002
Bus jumper (10 x 20-pole jumper)	All sockets	RSLZ2	0.003/0.007
Partition plate (10 partition plates)	All sockets	RSLZ3	0.001/0.002

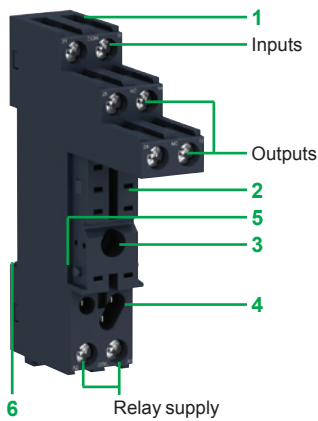
2



### Presentation of the range

The RSB interface relay range comprises:

- 1 12 A relays with 1 CO contact , 16 A relays with 1 CO contact, and 8 A relays with 2 CO contacts
- 2 Sockets with separate contact terminals
- 3 Protection modules (diode, diode + LED, RC circuit, or varistor + LED) common to all sockets
- 4 A plastic maintaining clamp for all sockets
- 5 Clip-in legend for all sockets



### Socket description

#### Sockets with separate contact terminals (1)

- 1 Connection by connector
- 2 5 or 8 female contacts for the relay pins
- 3 Hole for panel mounting
- 4 Location for protection modules
- 5 Locking components for plastic maintaining clamp
- 6 Locating slot for mounting on DIN rail

(1) The inputs and outputs are separate from the relay supply.



RSB1A120JD + RZM031FPD + RSZE1S35M



RSB1A160JD + RSZE1S48M



RSZR215

Relays for standard applications					
Control circuit voltage	Sold in lots of	Number and type of contacts - Thermal current (Ith)			Weight
		1 CO - 12 A	1 CO - 16 A	2 CO - 8 A	
		Unit reference (1)	Unit reference (1)	Unit reference (1)	kg/lb
⎓ 6	10	RSB1A120RD	RSB1A160RD	RSB2A080RD	0.014/0.031
⎓ 12	10	RSB1A120JD	RSB1A160JD	RSB2A080JD	0.014/0.031
⎓ 24	10	RSB1A120BD	RSB1A160BD	RSB2A080BD	0.014/0.031
⎓ 48	10	RSB1A120ED	RSB1A160ED	RSB2A080ED	0.014/0.031
⎓ 60	10	RSB1A120ND	RSB1A160ND	RSB2A080ND	0.014/0.031
⎓ 110	10	RSB1A120FD	RSB1A160FD	RSB2A080FD	0.014/0.031

~ 24	10	RSB1A120B7	RSB1A160B7	RSB2A080B7	0.014/0.031
~ 48	10	RSB1A120E7	RSB1A160E7	RSB2A080E7	0.014/0.031
~ 120	10	RSB1A120F7	RSB1A160F7	RSB2A080F7	0.014/0.031
~ 220	10	RSB1A120M7	RSB1A160M7	RSB2A080M7	0.014/0.031
~ 230	10	RSB1A120P7	RSB1A160P7	RSB2A080P7	0.014/0.031
~ 240	10	RSB1A120U7	RSB1A160U7	RSB2A080U7	0.014/0.031

Sockets with separate contact terminal arrangement and connector connection					
Rated insulation voltage	Thermal current (Ith)	Relay type	Sold in lots of	Unit reference	Weight
~ 250 V	12 A	RSB1A120●●	10	RSZE1S35M	0.060/0.132
	10 A (2)	RSB1A160●● (3) RSB2A080●●	10	RSZE1S48M	0.050/0.110

Protection modules					
Description	For use with	Voltage	Sold in lots of	Unit reference	Weight
					kg/lb
Diode	All sockets	⎓ 6...230	10	RZM040W	0.003/0.007
		~ 24...60	10	RZM041BN7	0.010/0.022
RC circuit	All sockets	~ 110...240	10	RZM041FU7	0.010/0.022
		⎓ 6...24	10	RZM031RB	0.004/0.009
Diode + green LED	All sockets	⎓ 24...60	10	RZM031BN	0.004/0.009
		⎓ 110...230	10	RZM031FPD	0.004/0.009
		⎓ or ~ 6...24	10	RZM021RB	0.005/0.011
Varistor + green LED	All sockets	⎓ or ~ 24...60	10	RZM021BN	0.005/0.011
		⎓ or ~ 110...230	10	RZM021FP	0.005/0.011

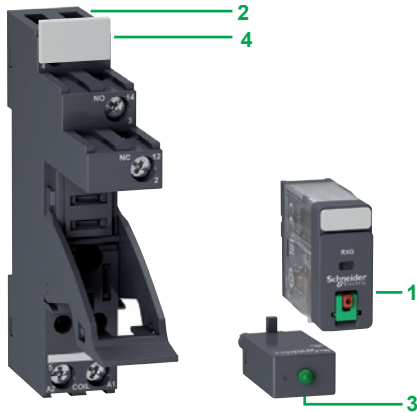
Accessories					
Description	For use with	Sold in lots of	Unit reference	Weight	kg/lb
Plastic maintaining clamp	All sockets	10	RSZR215	0.002/0.004	
Legend	All sockets	10	RSZL300	0.001/0.002	

(1) To order a relay complete with socket (sold in lots of 20), add the suffix **S** to one of the following voltage codes: **JD, BD, B7, P7, or F7**. Example: **RSB2A080BD + RSZE1S48M** becomes **RSB2A080BDS**.

(2) RSZE1S48M is a two terminal socket each carrying 10 A.

(3) If RSZE1S48M socket terminals are linked, relay RSB1A160●● can be used up to 16 A. See "Wiring diagrams" on

2

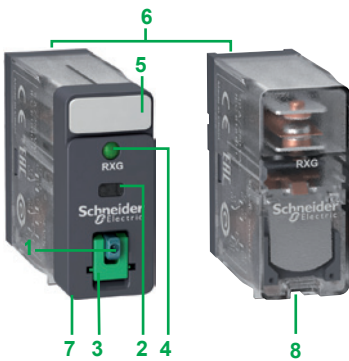


### Presentation of the range

RXG relays are interface plug-in relays with Faston pins for better reliability and robust installation. They are used in PLC applications.

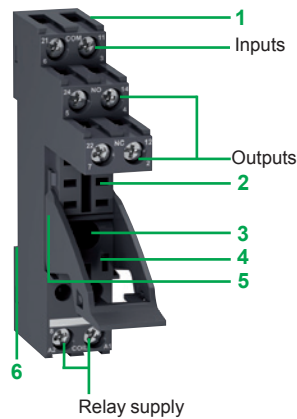
The RXG interface relay range comprises:

- 1 10 A relays with 1 CO contact and 5 A relays with 2 CO contacts
- 2 Sockets with separate contact terminals, screw connector connection, and built-in plastic maintaining clamp
- 3 Protection modules (diode, diode + LED, RC circuit, or varistor + LED) common to all RXG sockets
- 4 Clip-in legends for all RXG sockets



### Relay description

- 1 Spring-return pushbutton for testing the contacts (green:  $\overline{\text{---}}$ , red:  $\sim$ )
- 2 Mechanical "relay status" indicator
- 3 Removable lock-down door enabling forced maintaining of the contacts for test sequences or maintenance purposes
- 4 LED (depending on version) indicating the relay status
- 5 Removable legend for relay identification
- 6 5 or 8 Faston type pins
- 7 Standard cover-type relay with pushbutton, mechanical indicator, and LED options
- 8 Clear cover-type relay



### Socket description

#### Sockets with separate contact terminals (1)

- 1 Connection by connector
- 2 5 or 8 female contacts for the relay pins
- 3 Hole for panel mounting
- 4 Location for protection modules
- 5 Built-in plastic maintaining clamp for locking components
- 6 Locating slot for mounting on DIN rail

(1) The inputs and outputs are separate from the relay supply.





RXG11RD

Standard cover relays with lockable test button				
Control circuit voltage	Sold in lots of	Number and type of contacts - Thermal current (Ith)		Weight kg/lb
		1 CO - 10 A Unit reference	2 CO - 5 A Unit reference	
⎓ 6	10	RXG11RD	RXG21RD	0.020/0.044
⎓ 12	10	RXG11JD	RXG21JD	0.020/0.044
⎓ 24	10	RXG11BD	RXG21BD	0.020/0.044
⎓ 48	10	RXG11ED	RXG21ED	0.020/0.044
⎓ 60	10	RXG11ND	RXG21ND	0.020/0.044
⎓ 110	10	RXG11FD	RXG21FD	0.020/0.044
~ 24	10	RXG11B7	RXG21B7	0.020/0.044
~ 48	10	RXG11E7	RXG21E7	0.020/0.044
~ 120	10	RXG11F7	RXG21F7	0.020/0.044
~ 220	10	RXG11M7	RXG21M7	0.020/0.044
~ 230	10	RXG11P7	RXG21P7	0.020/0.044



RXG22B7

Standard cover relays with lockable test button and LED				
Control circuit voltage	Sold in lots of	Number and type of contacts - Thermal current (Ith)		Weight kg/lb
		1 CO - 10 A Unit reference	2 CO - 5 A Unit reference	
⎓ 6	10	RXG12RD	RXG22RD	0.020/0.044
⎓ 12	10	RXG12JD	RXG22JD	0.020/0.044
⎓ 24	10	RXG12BD	RXG22BD	0.020/0.044
⎓ 48	10	RXG12ED	RXG22ED	0.020/0.044
⎓ 60	10	RXG12ND	RXG22ND	0.020/0.044
⎓ 110	10	RXG12FD	RXG22FD	0.020/0.044
~ 24	10	RXG12B7	RXG22B7	0.020/0.044
~ 48	10	RXG12E7	RXG22E7	0.020/0.044
~ 120	10	RXG12F7	RXG22F7	0.020/0.044
~ 220	10	RXG12M7	RXG22M7	0.020/0.044
~ 230	10	RXG12P7	RXG22P7	0.020/0.044

PF132505



RXG13RD

2

Standard cover relays with LED				
Control circuit voltage	Sold in lots of	Number and type of contacts - Thermal current (Ith)		Weight
		1 CO - 10 A Unit reference	2 CO - 5 A Unit reference	
V				kg/lb
⎓ 6	10	RXG13RD	RXG23RD	0.020/0.044
⎓ 12	10	RXG13JD	RXG23JD	0.020/0.044
⎓ 24	10	RXG13BD	RXG23BD	0.020/0.044
⎓ 48	10	RXG13ED	RXG23ED	0.020/0.044
⎓ 60	10	RXG13ND	RXG23ND	0.020/0.044
⎓ 110	10	RXG13FD	RXG23FD	0.020/0.044
~ 24	10	RXG13B7	RXG23B7	0.020/0.044
~ 48	10	RXG13E7	RXG23E7	0.020/0.044
~ 120	10	RXG13F7	RXG23F7	0.020/0.044
~ 220	10	RXG13M7	RXG23M7	0.020/0.044
~ 230	10	RXG13P7	RXG23P7	0.020/0.044
Clear cover relays				
⎓ 6	10	RXG15RD	RXG25RD	0.019/0.042
⎓ 12	10	RXG15JD	RXG25JD	0.019/0.042
⎓ 24	10	RXG15BD	RXG25BD	0.019/0.042
⎓ 48	10	RXG15ED	RXG25ED	0.019/0.042
⎓ 60	10	RXG15ND	RXG25ND	0.019/0.042
⎓ 110	10	RXG15FD	RXG25FD	0.019/0.042
~ 24	10	RXG15B7	RXG25B7	0.018/0.040
~ 48	10	RXG15E7	RXG25E7	0.018/0.040
~ 120	10	RXG15F7	RXG25F7	0.018/0.040
~ 220	10	RXG15M7	RXG25M7	0.018/0.040
~ 230	10	RXG15P7	RXG25P7	0.018/0.040

PF132507



RXG15RD



RGZE1S48M



RZM031RB



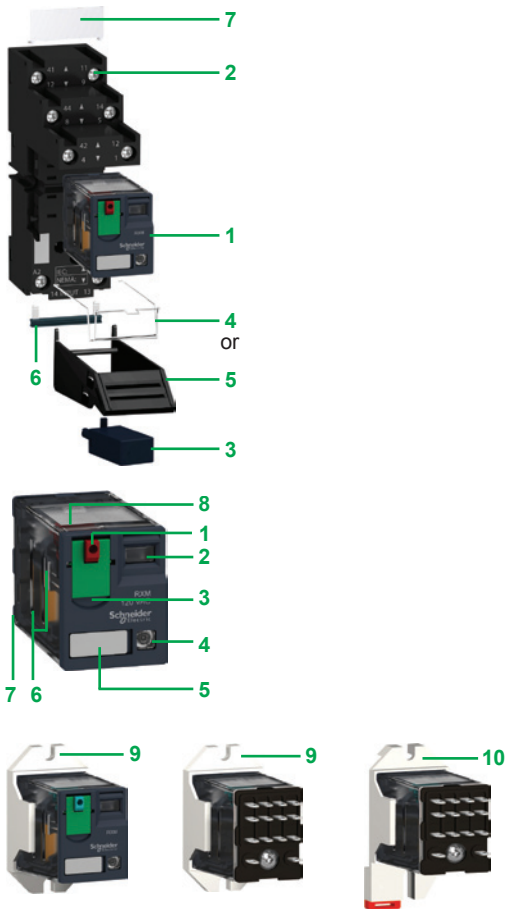
RSZL300

Sockets with separate contact terminals, screw connector connection, and built-in clamp					
Description	Thermal current (Ith)	Relay type	Sold in lots of	Unit reference	Weight kg/lb
1 CO socket with 1 pole	10 A	RXG1●●●	10	RGZE1S35M	0.034/0.075
2 CO socket with 2 poles	5 A	RXG2●●●	10	RGZE1S48M	0.042/0.093

Protection modules					
Description	For use with	Voltage	Sold in lots of	Unit reference	Weight kg/lb
		V			
Diode	All sockets	⎓ 6...230	10	RZM040W	0.003/0.007
		~ 24...60	10	RZM041BN7	0.010/0.022
		~ 110...240	10	RZM041FU7	0.010/0.022
Diode + green LED	All sockets	⎓ 6...24	10	RZM031RB	0.004/0.009
		⎓ 24...60	10	RZM031BN	0.004/0.009
		⎓ 110...230	10	RZM031FPD	0.004/0.009
Varistor + green LED	All sockets	⎓ or ~ 6...24	10	RZM021RB	0.005/0.011
		⎓ or ~ 24...60	10	RZM021BN	0.005/0.011
		⎓ or ~ 110...230	10	RZM021FP	0.005/0.011

Accessories					
Description	For use with	Sold in lots of	Unit reference	Weight kg/lb	
Plastic maintaining clamp	All sockets	10	RGZR215	0.002/0.004	
Legend	All sockets	10	RSZL300	0.001/0.002	
Legend	All relays	10	RGZL520	0.001/0.002	

2



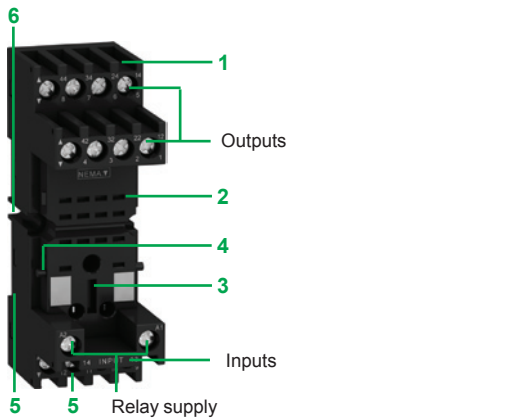
### Presentation of the range

The RXM miniature relay range comprises:

- 1 12 A relays with 2 CO contacts, 10 A relays with 3 CO contacts, 6 A relays with 4 CO contacts, and 3 A "low level" relays with 4 CO contacts (all these relays have the same dimensions)
- 2 Sockets with mixed or separate contact terminals
- 3 Protection modules (diode, RC circuit, or varistor) common to all sockets
- 4 Metal maintaining clamp for all sockets
- 5 Plastic maintaining clamp for all sockets
- 6 2-pole bus jumper that can be used on sockets with separate contact terminals in order to simplify cabling when creating an equipotential link between the coil terminals
- 7 Clip-in legends for all sockets except **RXZE2M114** and **RXZE2S114S**

### Relay description

- 1 Spring-return pushbutton for testing the contacts (green:  $\overline{\text{---}}$ , red:  $\sim$ )
- 2 Mechanical "relay status" indicator
- 3 Removable lock-down door enabling forced maintaining of the contacts for test sequences or maintenance purposes
- 4 LED (depending on version) indicating the relay status
- 5 Removable legend for relay identification
- 6 4 notches for rail mounting adapter or panel mounting adapter with mounting lugs
- 7 8, 11, or 14 Faston type pins
- 8 Area by which the product can be easily gripped
- 9 Mounting adapter enabling direct mounting of the relay on a panel
- 10 Mounting adapter enabling direct mounting of the relay on a DIN rail

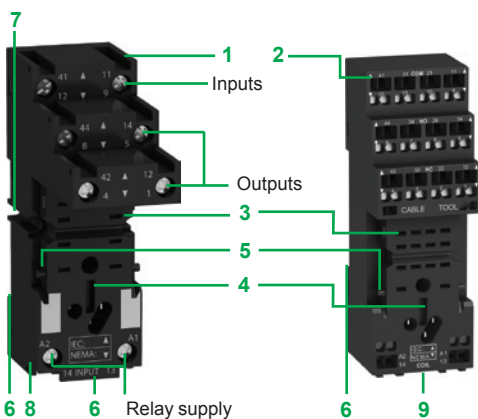


Sockets with mixed contact terminals

### Socket description

#### Sockets with mixed contact terminals (1)

- 1 Connection by screw clamp terminals or screw connector
- 2 14 female contacts for the relay pins
- 3 Location for protection modules
- 4 Locking components for plastic and metal maintaining clamps
- 5 Locating slot for mounting on DIN rail with compression spring or mounting clip
- 6 2 or 4 holes for panel mounting



Sockets with separate contact terminals

#### Sockets with separate contact terminals (2)

- 1 Connection by screw connector
- 2 Connection by push-in spring clamp terminals (no tool  $\otimes$  required to insert the cable)
- 3 8, 11, or 14 female contacts for the relay pins
- 4 Location for protection modules
- 5 Locking components for plastic and metal maintaining clamps
- 6 Locating slot for mounting on DIN rail with compression spring or mounting clip
- 7 2 holes for panel mounting
- 8 Location for bus jumpers (see dimensions for mounting on sockets on
- 9 Location for clip-in legend

(1) The inputs are mixed with the relay supply, with the outputs being located on the opposite side of the socket.

(2) The inputs and outputs are separate from the relay supply.



RXM2AB1BD



RXM2AB1F7



RXM2AB2ED



RXM2AB2F7

**Miniature relays without LED (sold in lots of 10)**

Control circuit voltage	Number and type of contacts - Thermal current (Ith)					
	2 CO - 12 A		3 CO - 10 A		4 CO - 6 A	
	Unit reference	Weight	Unit reference	Weight	Unit reference	Weight
V		kg/lb		kg/lb		kg/lb
--- 12	RXM2AB1JD	0.037/ 0.082	RXM3AB1JD	0.037/ 0.082	RXM4AB1JD	0.037/ 0.082
--- 24	RXM2AB1BD	0.037/ 0.082	RXM3AB1BD	0.037/ 0.082	RXM4AB1BD	0.037/ 0.082
--- 48	RXM2AB1ED	0.037/ 0.082	RXM3AB1ED	0.037/ 0.082	RXM4AB1ED	0.037/ 0.082
--- 110	RXM2AB1FD	0.037/ 0.082	RXM3AB1FD	0.037/ 0.082	RXM4AB1FD	0.037/ 0.082
--- 220	-	-	-	-	RXM4AB1MD	0.037/ 0.082
~ 24	RXM2AB1B7	0.037/ 0.082	RXM3AB1B7	0.037/ 0.082	RXM4AB1B7	0.037/ 0.082
~ 48	RXM2AB1E7	0.037/ 0.082	RXM3AB1E7	0.037/ 0.082	RXM4AB1E7	0.037/ 0.082
~ 120	RXM2AB1F7	0.037/ 0.082	RXM3AB1F7	0.037/ 0.082	RXM4AB1F7	0.037/ 0.082
~ 230	RXM2AB1P7	0.037/ 0.082	RXM3AB1P7	0.037/ 0.082	RXM4AB1P7	0.037/ 0.082
~ 240	-	-	-	-	RXM4AB1U7	0.037/ 0.082

**Miniature relays with LED (sold in lots of 10)**

--- 12	RXM2AB2JD	0.037/ 0.082	RXM3AB2JD	0.037/ 0.082	RXM4AB2JD	0.037/ 0.082
--- 24	RXM2AB2BD	0.037/ 0.082	RXM3AB2BD	0.037/ 0.082	RXM4AB2BD	0.037/ 0.082
--- 48	RXM2AB2ED	0.037/ 0.082	RXM3AB2ED	0.037/ 0.082	RXM4AB2ED	0.037/ 0.082
--- 110	RXM2AB2FD	0.037/ 0.082	RXM3AB2FD	0.037/ 0.082	RXM4AB2FD	0.037/ 0.082
--- 125	-	-	-	-	RXM4AB2GD	0.037/ 0.082
~ 24	RXM2AB2B7	0.037/ 0.082	RXM3AB2B7	0.037/ 0.082	RXM4AB2B7	0.037/ 0.082
~ 48	RXM2AB2E7	0.037/ 0.082	RXM3AB2E7	0.037/ 0.082	RXM4AB2E7	0.037/ 0.082
~ 120	RXM2AB2F7	0.037/ 0.082	RXM3AB2F7	0.037/ 0.082	RXM4AB2F7	0.037/ 0.082
~ 230	RXM2AB2P7	0.037/ 0.082	RXM3AB2P7	0.037/ 0.082	RXM4AB2P7	0.037/ 0.082



2



RXM4GB1BD



RXM4GB1P7



RXM4GB2BD



RXM4GB2F7

**Miniature relays with low level contacts, without LED (sold in lots of 10)**

Control circuit voltage	Number and type of contacts Thermal current (Ith) 4 CO - 3 A	Weight	
		Unit reference	kg/lb
V			
--- 12		RXM4GB1JD	0.037/0.082
--- 24		RXM4GB1BD	0.037/0.082
--- 48		RXM4GB1ED	0.037/0.082
--- 110		RXM4GB1FD	0.037/0.082
~ 24		RXM4GB1B7	0.037/0.082
~ 48		RXM4GB1E7	0.037/0.082
~ 120		RXM4GB1F7	0.037/0.082
~ 230		RXM4GB1P7	0.037/0.082

**Miniature relays with low level contacts, with LED (sold in lots of 10)**

--- 12		RXM4GB2JD	0.037/0.082
--- 24		RXM4GB2BD	0.037/0.082
--- 48		RXM4GB2ED	0.037/0.082
--- 60		RXM4GB2ND	0.037/0.082
--- 110		RXM4GB2FD	0.037/0.082
--- 125		RXM4GB2GD	0.037/0.082
--- 220		RXM4GB2MD	0.037/0.082
~ 24		RXM4GB2B7	0.037/0.082
~ 48		RXM4GB2E7	0.037/0.082
~ 120		RXM4GB2F7	0.037/0.082
~ 230		RXM4GB2P7	0.037/0.082
~ 240		RXM4GB2U7	0.037/0.082

PF15537A



RXZE2M114M  
+  
Relay RXM4AB1F7

PF10601B



RXM041●●7

PF15165Z



REXL4●●

PF15550A



RXZS2

PF155351



RXZE2DA

PF15528A



RXZ400

PF15533A



RXZL520

Sockets					
Contact terminal arrangement	Connection	Relay type	Sold in lots of	Unit reference	Weight kg/lb
Mixed	Screw clamp terminals	RXM2●●●●● (3) RXM4●●●●●	10	RXZE2M114 (1)	0.048/0.106
	Screw connector	RXM2●●●●● (3) RXM4●●●●●	10	RXZE2M114M (1)	0.056/0.124
Separate	Spring clamp terminals	RXM2●●●●● (3) RXM4●●●●●	10	RXZE2S114S (2)	0.070/0.154
	Screw connector	RXM2●●●●●	10	RXZE2S108M (2)	0.058/0.128
		RXM3●●●●●	10	RXZE2S111M (1)	0.066/0.146
		RXM4●●●●●	10	RXZE2S114M (1)	0.070/0.154

Protection modules					
Description	Voltage	For use with	Sold in lots of	Unit reference	Weight kg/lb
	V				
Diode	~ 6...250	All sockets	10	RXM040W	0.003/0.007
RC circuit	~ 24...60	All sockets	10	RXM041BN7	0.010/0.022
	~ 110...240	All sockets	10	RXM041FU7	0.010/0.022
Varistor	~ 6...24	All sockets	10	RXM021RB	0.030/0.066
	~ 24...60	All sockets	10	RXM021BN	0.030/0.066
	~ 110...240	All sockets	10	RXM021FP	0.030/0.066

Timing relays				
Description	For use with	Unit reference	Weight kg/lb	
2 or 4 timed CO contacts (function A)	RXZE●●●●● sockets	REXL2●● (4) REXL4●● (4)	–	–

Accessories				
Description	For use with	Sold in lots of	Unit reference	Weight kg/lb
Metal maintaining clamp	All sockets	10	RXZ400	0.001/0.002
Plastic maintaining clamp	All sockets	10	RXZR335	0.005/0.011
2-pole bus jumper (lth: 5 A)	All sockets with separate contacts	10	RXZS2	0.005/0.011
Mounting adapter for $\perp$ rails (5)	All relays	10	RXZE2DA	0.004/0.009
Mounting adapter with panel mounting lugs	All relays	10	RXZE2FA	0.002/0.004
Clip-in legends	All relays (sheet of 108 legends)	10	RXZL520	0.080/0.176
	All sockets except RXZE2M114 and RXZE2S114S	10	RXZL420	0.001/0.002
	RXZE2S114S socket	10	RSZL300	0.001/0.002

(1) Thermal current (lth): 10 A.

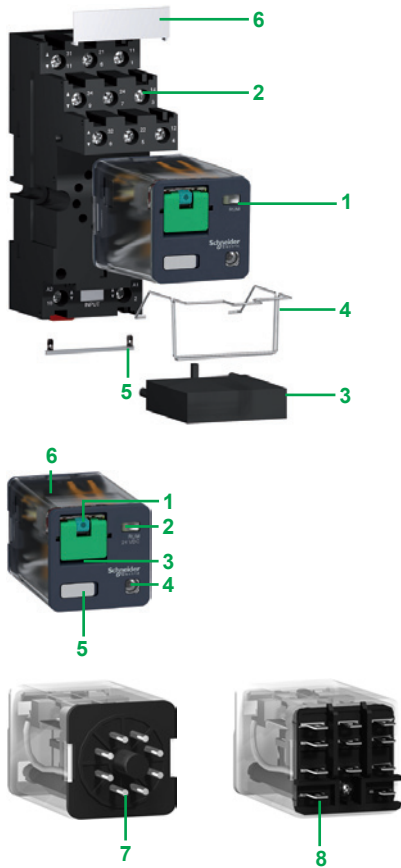
(2) Thermal current (lth): 12 A.

(3) When mounting relay RXM2●●●●● on socket RXZE2M●●●●●, the thermal current should not exceed 10 A.

(4) Please refer to "Zelio Time timing relays" catalog.

(5) Test button becomes inaccessible.

2



### Presentation of the range

- The RUM universal relay range comprises:
- 10 A relays with 2 and 3 CO contacts, and cylindrical or flat (Faston type) pins (all these relays have the same dimensions)
  - Sockets with mixed or separate contact terminals
  - Protection modules (diode, RC circuit, or varistor) or 1 timer module, common to all RUM sockets
  - Metal maintaining clamp for all RUM sockets
  - 2-pole bus jumper that can be used on sockets with separate contact terminals in order to simplify cabling when creating an equipotential link between the coil terminals
  - Clip-in legends for the sockets

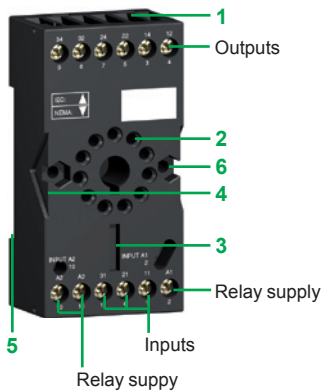
### Relay description

- Spring-return pushbutton for testing the contacts (green:  $\overline{\text{---}}$ , red:  $\sim$ )
- Mechanical "relay status" indicator
- Removable lock-down door enabling forced maintaining of the contacts for test sequences or maintenance purposes (1)
- LED (depending on version) indicating the relay status
- Removable legend for relay identification
- Area by which the product can be easily gripped
- 8 or 11 cylindrical pins
- 8 or 11 flat (Faston type) pins

### Socket description

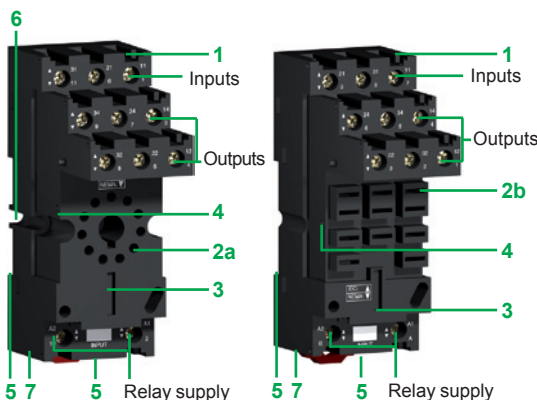
#### Sockets with mixed contact terminals (2)

- Connection by screw connector
- 8 or 11 female contacts for the relay cylindrical pins
- Location for protection modules or the timer module
- Locking component for metal maintaining clamp
- A locating slot for mounting on DIN rail
- 2 holes for panel mounting



#### Sockets with separate contact terminals (3)

- Connection by screw connector
- a 8 or 11 female contacts for the relay cylindrical pins  
b 11 female contacts for the relay flat pins
- Location for protection modules or the timer module
- Locking component for metal maintaining clamp
- Locating slot for mounting on DIN rail with mounting clip
- 2 holes for panel mounting
- Location for bus jumpers (see dimensions for mounting on sockets on



(1) During operation, this lock-down door must always be in the closed position.  
 (2) The inputs are mixed with the relay supply, with the outputs being located on the opposite side of the socket.  
 (3) The inputs and outputs are separate from the relay supply.



**References**

Relays for standard applications, with lockable test button and without LED (sold in lots of 10)

Pins	Control circuit voltage	Number and type of contacts - Thermal current (Ith)			
		2 CO - 10 A		3 CO - 10 A	
		Unit reference	Weight	Unit reference	Weight
	V		kg/lb		kg/lb
Cylindrical	--- 12	RUMC21JD	0.086/0.190	RUMC31JD	0.086/0.190
	--- 24	RUMC21BD	0.086/0.190	RUMC31BD	0.086/0.190
	--- 48	RUMC21ED	0.086/0.190	RUMC31ED	0.086/0.190
	--- 60	–	–	RUMC31ND	0.086/0.190
	--- 110	RUMC21FD	0.086/0.190	RUMC31FD	0.086/0.190
	--- 125	–	–	RUMC31GD	0.086/0.190
	--- 220	–	–	RUMC31MD	0.086/0.190
	~ 24	RUMC21B7	0.086/0.190	RUMC31B7	0.086/0.190
	~ 48	RUMC21E7	0.086/0.190	RUMC31E7	0.086/0.190
	~ 120	RUMC21F7	0.086/0.190	RUMC31F7	0.086/0.190
~ 230	RUMC21P7	0.086/0.190	RUMC31P7	0.086/0.190	
Flat (Faston type)	--- 12	RUMF21JD	0.086/0.190	RUMF31JD	0.086/0.190
	--- 24	RUMF21BD	0.086/0.190	RUMF31BD	0.086/0.190
	--- 48	RUMF21ED	0.086/0.190	RUMF31ED	0.086/0.190
	--- 110	RUMF21FD	0.086/0.190	RUMF31FD	0.086/0.190
	~ 24	RUMF21B7	0.086/0.190	RUMF31B7	0.086/0.190
	~ 48	RUMF21E7	0.086/0.190	RUMF31E7	0.086/0.190
	~ 120	RUMF21F7	0.086/0.190	RUMF31F7	0.086/0.190
	~ 230	RUMF21P7	0.086/0.190	RUMF31P7	0.086/0.190

Relays for standard applications, with lockable test button and LED (sold in lots of 10)

Cylindrical	--- 12	RUMC22JD	0.086/0.190	RUMC32JD	0.086/0.190
	--- 24	RUMC22BD	0.086/0.190	RUMC32BD	0.086/0.190
	--- 48	RUMC22ED	0.086/0.190	RUMC32ED	0.086/0.190
	--- 60	–	–	RUMC32ND	0.086/0.190
	--- 110	RUMC22FD	0.086/0.190	RUMC32FD	0.086/0.190
	--- 125	–	–	RUMC32GD	0.086/0.190
	~ 24	RUMC22B7	0.086/0.190	RUMC32B7	0.086/0.190
	~ 48	RUMC22E7	0.086/0.190	RUMC32E7	0.086/0.190
	~ 120	RUMC22F7	0.086/0.190	RUMC32F7	0.086/0.190
	~ 230	RUMC22P7	0.086/0.190	RUMC32P7	0.086/0.190
Flat (Faston type)	--- 12	RUMF22JD	0.086/0.190	RUMF32JD	0.086/0.190
	--- 24	RUMF22BD	0.086/0.190	RUMF32BD	0.086/0.190
	--- 48	RUMF22ED	0.086/0.190	RUMF32ED	0.086/0.190
	--- 110	RUMF22FD	0.086/0.190	RUMF32FD	0.086/0.190
	~ 24	RUMF22B7	0.086/0.190	RUMF32B7	0.086/0.190
	~ 48	RUMF22E7	0.086/0.190	RUMF32E7	0.086/0.190
	~ 120	RUMF22F7	0.086/0.190	RUMF32F7	0.086/0.190
	~ 230	RUMF22P7	0.086/0.190	RUMF32P7	0.086/0.190



RUMC21BD



RUMC21F7



RUMC32BD



RUMF32F7

2

PF140739B



RUZSC3M +  
Relay RUMC3●●●

PF108027



RUW241P7

PF616229



RUW101MW

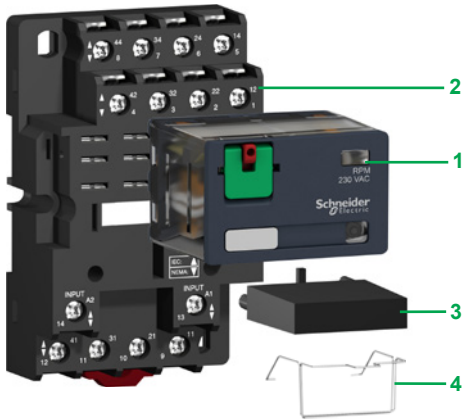
References (continued)					
<b>Sockets</b>					
Contact terminal arrangement	Connection	Relay type	Sold in lots of	Unit reference	Weight kg/lb
Mixed	Screw connector	RUMC2●●●	10	RUZC2M	0.054/0.119
		RUMC3●●●	10	RUZC3M	0.054/0.119
Separate	Screw connector	RUMC2●●●	10	RUZSC2M	0.095/0.209
		RUMC3●●●	10	RUZSC3M	0.100/0.220
		RUMF2●●●	10	RUZSF3M	0.095/0.209
		RUMF3●●●			
<b>Protection modules</b>					
Description	For use with	Voltage	Sold in lots of	Unit reference	Weight kg/lb
<b>V</b>					
Diode	All RUM sockets	— 6...250	10	RUW240BD	0.004/0.009
RC circuit	All RUM sockets	~ 110...240	10	RUW241P7	0.004/0.009
Varistor	All RUM sockets	~/— 24	10	RUW242B7	0.004/0.009
		~/— 240	10	RUW242P7	0.004/0.009
<b>Timer module</b>					
Description	For use with	Voltage	Reference	Weight kg/lb	
<b>V</b>					
Multifunction	All RUM sockets	~/— 24... 240		RUW101MW	0.020/0.044
<b>Timing relays</b>					
Description	For use with	Reference	Weight kg/lb		
2 timed CO contacts (single-function or multifunction)	RUZC●M sockets	RE48A●● (1)	—		

(1) Please refer to "Zelio Time timing relays" catalog.



References (continued)				
Accessories				
Description	For use with	Sold in lots of	Unit reference	Weight kg/lb
Metal maintaining clamp	All RUM sockets	10	RUZC200	0.001/0.002
2-pole bus jumper (lth: 5 A)	All RUM sockets with separate contacts	10	RUZS2	0.005/0.011
Clip-in legends	All relays (sheet of 108 legends)	10	RXZL520	0.086/0.190
	All RUM sockets with separate contacts	10	RUZL420	0.001/0.002

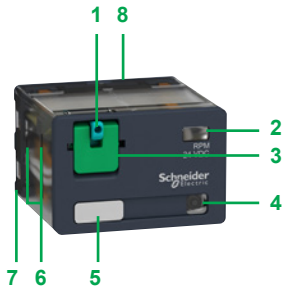
2



#### Presentation of the range

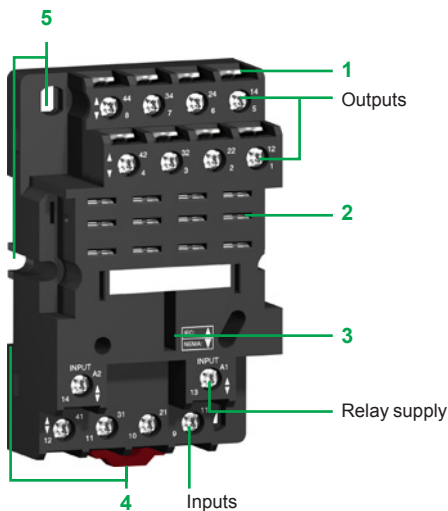
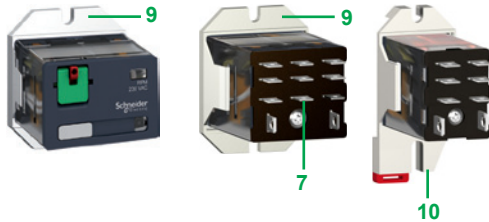
The RPM power relay range comprises:

- 1 15 A relay with 1, 2, 3, and 4 CO contacts
- 2 Sockets with mixed contact terminals
- 3 Protection modules (diode, RC circuit, or varistor) or 1 timer module (these protection modules are common to all sockets except for the timer module, which can be used on 3-pole or 4-pole sockets only)
- 4 Metal maintaining clamp for single-contact relays



#### Relay description

- 1 Spring-return pushbutton for testing the contacts (green:  $\text{---}$ , red:  $\text{~}$ )
- 2 Mechanical "relay status" indicator
- 3 Removable lock-down door enabling forced maintaining of the contacts for test sequences or maintenance purposes
- 4 LED (depending on version) indicating the relay status
- 5 Removable legend for relay identification
- 6 4 notches for rail mounting adapter or panel mounting adapter with mounting lugs
- 7 5, 8, 11, or 14 Faston type pins
- 8 Area by which the product can be easily gripped
- 9 Mounting adapter enabling direct mounting of the relay on a panel
- 10 Mounting adapter enabling direct mounting of the relay on a  $\text{DIN}$  rail



#### Socket description

##### Sockets with mixed contact terminals (1)

- 1 Connection by screw clamp terminals
- 2 5, 8, 11, or 14 female contacts for the relay pins
- 3 Location for protection modules or the timer module
- 4 Locating slot for mounting on rail with mounting clip
- 5 2 or 4 holes for panel mounting

(1) The inputs are mixed with the relay supply, with the outputs being located on the opposite side of the socket.



RPM41BD



RPM41P7



RPM42BD



RPM42P7

Reference								
Power relays without LED (sold in lots of 10)								
Control circuit voltage	Number and type of contacts - Thermal current (Ith)				3 CO - 15 A		4 CO - 15 A	
	1 CO - 15 A		2 CO - 15 A		Unit reference	Weight	Unit reference	Weight
V	Unit reference	Weight	Unit reference	Weight	Unit reference	kg/lb	Unit reference	kg/lb
≡ 12	RPM11JD	0.026/0.057	RPM21JD	0.036/0.079	RPM31JD	0.054/0.119	RPM41JD	0.071/0.157
≡ 24	RPM11BD	0.026/0.057	RPM21BD	0.036/0.079	RPM31BD	0.054/0.119	RPM41BD	0.071/0.157
≡ 48	RPM11ED	0.026/0.057	RPM21ED	0.036/0.079	RPM31ED	0.054/0.119	RPM41ED	0.071/0.157
≡ 110	RPM11FD	0.026/0.057	RPM21FD	0.036/0.079	RPM31FD	0.054/0.119	RPM41FD	0.071/0.157
~ 24	RPM11B7	0.026/0.057	RPM21B7	0.036/0.079	RPM31B7	0.054/0.119	RPM41B7	0.071/0.157
~ 48	RPM11E7	0.026/0.057	RPM21E7	0.036/0.079	RPM31E7	0.054/0.119	RPM41E7	0.071/0.157
~ 120	RPM11F7	0.026/0.057	RPM21F7	0.036/0.079	RPM31F7	0.054/0.119	RPM41F7	0.071/0.157
~ 230	RPM11P7	0.026/0.057	RPM21P7	0.036/0.079	RPM31P7	0.054/0.119	RPM41P7	0.071/0.157
Power relays with LED (sold in lots of 10)								
≡ 12	RPM12JD	0.026/0.057	RPM22JD	0.036/0.079	RPM32JD	0.054/0.119	RPM42JD	0.071/0.157
≡ 24	RPM12BD	0.026/0.057	RPM22BD	0.036/0.079	RPM32BD	0.054/0.119	RPM42BD	0.071/0.157
≡ 48	RPM12ED	0.026/0.057	RPM22ED	0.036/0.079	RPM32ED	0.054/0.119	RPM42ED	0.071/0.157
≡ 110	RPM12FD	0.026/0.057	RPM22FD	0.036/0.079	RPM32FD	0.054/0.119	RPM42FD	0.071/0.157
~ 24	RPM12B7	0.026/0.057	RPM22B7	0.036/0.079	RPM32B7	0.054/0.119	RPM42B7	0.071/0.157
~ 48	RPM12E7	0.026/0.057	RPM22E7	0.036/0.079	RPM32E7	0.054/0.119	RPM42E7	0.071/0.157
~ 120	RPM12F7	0.026/0.057	RPM22F7	0.036/0.079	RPM32F7	0.054/0.119	RPM42F7	0.071/0.157
~ 230	RPM12P7	0.026/0.057	RPM22P7	0.036/0.079	RPM32P7	0.054/0.119	RPM42P7	0.071/0.157

PF14231B



RPZF4 + Relay RPM42P7

2

PF10604



RUW24

## References (continued)

## Sockets

Contact terminal arrangement	Connection	Relay type	Sold in lots of	Unit reference	Weight kg/lb
Mixed	Screw clamp terminals	RPM1●●●	10	RPZF1	0.042/0.093
		RPM2●●●	10	RPZF2	0.054/0.119
		RPM3●●●	10	RPZF3	0.072/0.159
		RPM4●●●	10	RPZF4	0.094/0.207

## Protection modules

Description	Voltage	Socket type	Sold in lots of	Unit reference	Weight kg/lb
<b>V</b>					
Diode	~ 6...250	RPZF1	20	RXM040W	0.003/0.007
		RPZF2			
		RPZF3	10	RUW240BD	0.004/0.009
		RPZF4			
RC circuit	~ 24...60	RPZF1	20	RXM041BN7	0.010/0.022
		RPZF2			
	~ 110...240	RPZF1	20	RXM041FU7	0.010/0.022
		RPZF2			
Varistor	~ 6...24	RPZF1	20	RXM021RB	0.030/0.066
		RPZF2			
	~ 24...60	RPZF1	20	RXM021BN	0.030/0.066
		RPZF2			
	~ 110...240	RPZF1	20	RXM021FP	0.030/0.066
		RPZF2			
~ 24	RPZF3	10	RUW242B7	0.004/0.009	
	RPZF4				
~ 240	RPZF3	10	RUW242P7	0.004/0.009	
	RPZF4				

## Timer module (1)

Description	Voltage	Socket type	Reference	Weight kg/lb
<b>V</b>				
Multifunction	~ 24... 240	RPZF3 RPZF4	RUW101MW	0.020/0.044

(1) See timer module description (selection of functions and time delays) on

PF108045



RPZ1DA

PF108046



RPZ4FA

## References (continued)

## Accessories

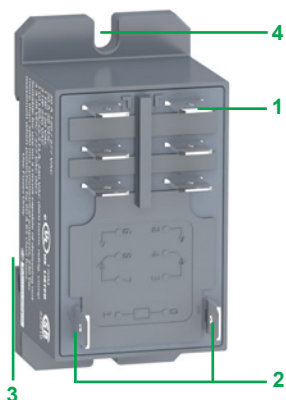
Description	For use with	Sold in lots of	Unit reference	Weight kg/lb
<b>Metal maintaining clamp</b> (for single-pole relays)	RPZF1	20	RPZR235	0.001/0.002
<b>Mounting adapters for <math>\perp</math> rail (1)</b>	RPM1●●●	20	RPZ1DA	0.004/0.009
	RPM2●●●	20	RXZE2DA	0.004/0.009
	RPM3●●●	20	RPZ3DA	0.004/0.009
	RPM4●●●	20	RPZ4DA	0.006/0.013
<b>Mounting adapters with panel mounting lugs</b>	RPM1●●●	20	RPZ1FA	0.002/0.004
	RPM2●●●	20	RXZE2FA	0.002/0.004
	RPM3●●●	20	RPZ3FA	0.003/0.007
	RPM4●●●	20	RPZ4FA	0.004/0.009
<b>Clip-in legends</b> (sheet of 108 legends)	All relays	10	RXZL520	0.080/0.176
<b>Clip-in legends</b> (sheet of 16 legends)	All relays	10	RGZL520	0.080/0.176

(1) Test button becomes inaccessible.

### Presentation of the range

RPF power relays with 2 CO or 2 NO contacts comprise:

- 1 4 or 6 Faston type pins
- 2 2 relay supply pins
- 3 Locating slot for mounting on DIN rail
- 4 2 holes for panel mounting



2



# Zelio Relay - Electromechanical relays

Relays with clamp mounting  
RPF power relays

RPF2036/C



RPF2A●●

Power relays (sold in lots of 10)			
Control circuit voltage	Number and type of contacts - Thermal current (Ith)		Weight
	2 NO - 30 A (1)	2 CO - 30 A (1)	
	Unit reference	Unit reference	kg/lb
⎓ 12	RPF2AJD	RPF2BJD	0.082/ 0.181
⎓ 24	RPF2ABD	RPF2BBD	0.082/ 0.181
~ 24	RPF2AB7	RPF2BB7	0.082/ 0.181
~ 120	RPF2AF7	RPF2BF7	0.082/ 0.181
~ 230	RPF2AP7	RPF2BP7	0.082/ 0.181

(1) 30 A when mounted with 13 mm (0.51 in.) gap between two relays and 25 A when mounted side by side without a gap.

Relays			
Contact types			
Symbol	Configuration	EU	USA
	Make contact (Normally Open)	NO	SPST-NO DPST-NO nPST-NO (1)
	Break contact (Normally Closed)	NC	SPST-NC DPST-NC nPST-NC (1)
	Changeover Contact	CO	SPDT DPDT nPDT (1)

Utilization categories		
Category	Type of current	Applications
AC-1	~ 1-phase ~ 3-phase	Resistive or slightly inductive loads
AC-3	~ 3-phase	Starting and braking of squirrel cage motors; reversing direction of rotation only after stopping of motor
AC-4	~ 3-phase	Starting of squirrel cage motors, inching; plugging, reversing direction of rotation
DC-1	---	Resistive or slightly inductive loads (2)
AC-14	~ 1-phase	Control of electromagnetic loads (< 72 VA), auxiliary control relays, power contactors, electromagnetic solenoid valves, and electromagnets
AC-15	~ 1-phase	Control of electromagnetic loads (> 72 VA), auxiliary control relays, power contactors, electromagnetic solenoid valves, and electromagnets
DC-13	---	Control of electromagnetic loads, auxiliary control relays, power contactors, magnetic solenoid valves, and electromagnets

Protection categories		
Category	Explanation	Condition
RT 0	Unenclosed relay	Relay not provided with a protective case
RT I	Dust protected relay	Relay provided with a case that helps to protect its mechanism from dust
RT II	Flux-proof relay	Relay capable of being automatically soldered without allowing the migration of solder fluxes beyond the intended areas
RT III	Wash-tight relay	Relay capable of being automatically soldered and then washed to remove flux residues and minimize the possibility of ingress of flux or washing solvents
RT IV	Sealed relay	Relay provided with a case that has no venting to the outside atmosphere
RT V	Hermetically sealed relay	Sealed relay with an enhanced level of sealing

(1) n = number of contacts.

(2) The switchable voltage can be doubled, for an equal current, by connecting 2 contacts in series.

### Protection modules

Whenever an inductive load is de-energized (coil of a relay or of a contactor), an overvoltage appears at its terminals. This voltage peak can reach several thousand volts and a frequency of several MHz.

It is likely to disturb the operation of automation systems that contain electronic devices.

Protection modules are used to reduce the voltage peak on de-energization and therefore limit the energy of interference signals to a level that will not disturb surrounding coils and electronic devices.

These modules are used to help reduce the risk of:

- electromagnetic compatibility problems
- deterioration of contact materials
- damage to insulation due to overvoltage
- damage to electronic components

### Diode protection module (with or without LED)

■ Advantages

- accumulation of energy allowing current to flow in the same direction
- absence of any voltage peaks at the coil terminals
- low cost

■ Disadvantages

- increase in relay drop-out time (3 to 4 times the usual time)
- no polarity protection
- de-energization of the relay

### Protection module with varistor

■ Advantages

- can be used with  $\sim$  and  $\text{---}$  supply
- voltage peak limited to about  $2 U_n$
- little effect on relay drop-out time

■ Disadvantages

- no modification of coil's own oscillating frequency
- limitation of switching frequency

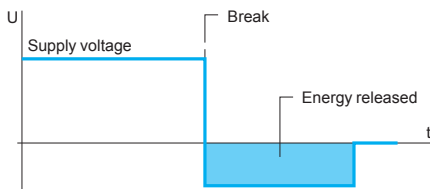
### Protection module with RC circuit

■ Advantages

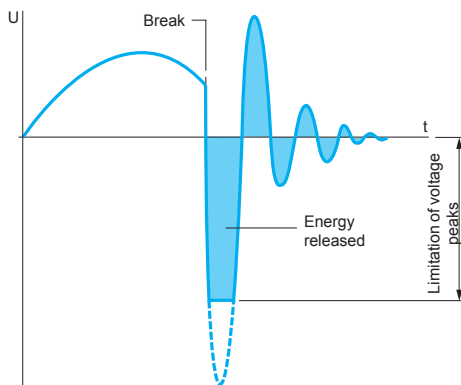
- coil oscillating frequency reduced to about 150 Hz
- voltage peak limited to  $3 U_n$
- little effect on relay drop-out time

■ Disadvantages

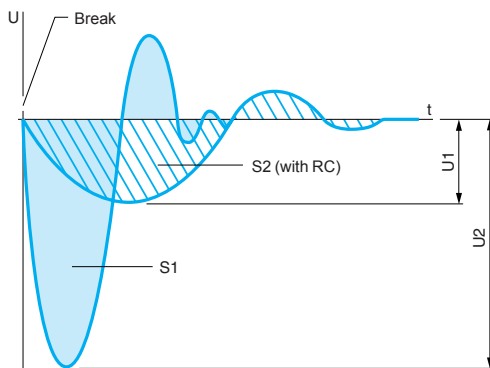
- no protection for low voltages



Coil voltage with diode protection module ( $\text{---}$  only)



Coil voltage with varistor protection module ( $\sim$  and  $\text{---}$ )



Coil voltage with RC circuit protection module ( $\sim$  only)

S1 = S2 = Energy released



---

Index

■ Product reference index..... page 3/2



RXG15ED	2/8	RXM2AB1E7	2/11	RXM4GB2B7	2/12
RXG15F7	2/8	RXM2AB1ED	2/11	RXM4GB2BD	2/12
RXG15FD	2/8	RXM2AB1F7	2/11	RXM4GB2E7	2/12
RXG15JD	2/8	RXM2AB1FD	2/11	RXM4GB2ED	2/12
RXG15M7	2/8	RXM2AB1JD	2/11	RXM4GB2F7	2/12
RXG15ND	2/8	RXM2AB1P7	2/11	RXM4GB2FD	2/12
RXG15P7	2/8	RXM2AB2B7	2/11	RXM4GB2GD	2/12
RXG15RD	2/8	RXM2AB2BD	2/11	RXM4GB2JD	2/12
RXG21B7	2/7	RXM2AB2E7	2/11	RXM4GB2MD	2/12
RXG21BD	2/7	RXM2AB2ED	2/11	RXM4GB2ND	2/12
RXG21E7	2/7	RXM2AB2F7	2/11	RXM4GB2P7	2/12
RXG21ED	2/7	RXM2AB2FD	2/11	RXM4GB2U7	2/12
RXG21F7	2/7	RXM2AB2JD	2/11	RXM021BN	2/13 2/20
RXG21FD	2/7	RXM2AB2P7	2/11	RXM021FP	2/13 2/20
RXG21JD	2/7	RXM3AB1B7	2/11	RXM021RB	2/13 2/20
RXG21M7	2/7	RXM3AB1BD	2/11	RXM040W	2/13 2/20
RXG21ND	2/7	RXM3AB1E7	2/11	RXM041BN7	2/13 2/20
RXG21P7	2/7	RXM3AB1ED	2/11	RXM041FU7	2/13 2/20
RXG21RD	2/7	RXM3AB1F7	2/11	RXZ400	2/13
RXG22B7	2/7	RXM3AB1FD	2/11	RXZE2DA	2/13 2/21
RXG22BD	2/7	RXM3AB1JD	2/11	RXZE2FA	2/13 2/21
RXG22E7	2/7	RXM3AB1P7	2/11	RXZE2M114	2/13
RXG22ED	2/7	RXM3AB2B7	2/11	RXZE2M114M	2/13
RXG22F7	2/7	RXM3AB2BD	2/11	RXZE2S108M	2/13
RXG22FD	2/7	RXM3AB2E7	2/11	RXZE2S111M	2/13
RXG22FD	2/7	RXM3AB2ED	2/11	RXZE2S114M	2/13
RXG22JD	2/7	RXM3AB2F7	2/11	RXZE2S114S	2/13
RXG22M7	2/7	RXM3AB2FD	2/11	RXZL420	2/13
RXG22ND	2/7	RXM3AB2JD	2/11	RXZL520	2/13 2/17 2/21
RXG22P7	2/7	RXM3AB2P7	2/11	RXZR335	2/13
RXG22RD	2/7	RXM4AB1B7	2/11	RXZS2	2/13
RXG23B7	2/8	RXM4AB1BD	2/11	RZM021BN	2/5 2/9
RXG23BD	2/8	RXM4AB1E7	2/11	RZM021FP	2/5 2/9
RXG23E7	2/8	RXM4AB1ED	2/11	RZM021RB	2/5 2/9
RXG23ED	2/8	RXM4AB1F7	2/11	RZM031BN	2/5 2/9
RXG23FD	2/8	RXM4AB1FD	2/11	RZM031FPD	2/5 2/9
RXG23F7	2/8	RXM4AB1JD	2/11	RZM031RB	2/5 2/9
RXG23FD	2/8	RXM4AB1MD	2/11	RZM040W	2/5 2/9
RXG23JD	2/8	RXM4AB1P7	2/11	RZM041BN7	2/5 2/9
RXG23M7	2/8	RXM4AB1U7	2/11	RZM041FU7	2/5 2/9
RXG23ND	2/8	RXM4AB2B7	2/11		
RXG23P7	2/8	RXM4AB2BD	2/11		
RXG23RD	2/8	RXM4AB2E7	2/11		
RXG25B7	2/8	RXM4AB2ED	2/11		
RXG25BD	2/8	RXM4AB2F7	2/11		
RXG25E7	2/8	RXM4AB2FD	2/11		
RXG25ED	2/8	RXM4AB2GD	2/11		
RXG25F7	2/8	RXM4AB2JD	2/11		
RXG25FD	2/8	RXM4AB2P7	2/11		
RXG25JD	2/8	RXM4GB1B7	2/12		
RXG25M7	2/8	RXM4GB1BD	2/12		
RXG25ND	2/8	RXM4GB1E7	2/12		
RXG25P7	2/8	RXM4GB1ED	2/12		
RXG25RD	2/8	RXM4GB1F7	2/12		
RXM2AB1B7	2/11	RXM4GB1FD	2/12		
RXM2AB1BD	2/11	RXM4GB1JD	2/12		
		RXM4GB1P7	2/12		

Relays



## Schneider Electric Industries SAS

Head Office  
35, rue Joseph Monier  
F-92500 Rueil-Malmaison  
France

The information provided in this documentation contains general descriptions and/or technical characteristics of the performance of the products contained herein. This documentation is not intended as a substitute for and is not to be used for determining suitability or reliability of these products for specific user applications. It is the duty of any such user or integrator to perform the appropriate and complete risk analysis, evaluation and testing of the products with respect to the relevant specific application or use thereof. Neither Schneider Electric nor any of its affiliates or subsidiaries shall be responsible or liable for misuse of the information contained herein.

Design: Schneider Electric  
Photos: Schneider Electric